

CODE	ND (CTS)	ID	L1	L	D	H	H1
12EIME012C	1/2	0.625	1.42	2.91	1.06	1.89	2.01

**EloFIT**



ITEM: **EIME\_C**

C:\Vault\_Temp\Disegni\Corinna\Tabelle\Elofit\POLLICI  
USA\Eime\_C\EL10012.dwg

DESC: ELECTROSION COUPLER  
PE4710 230PSI SDR11

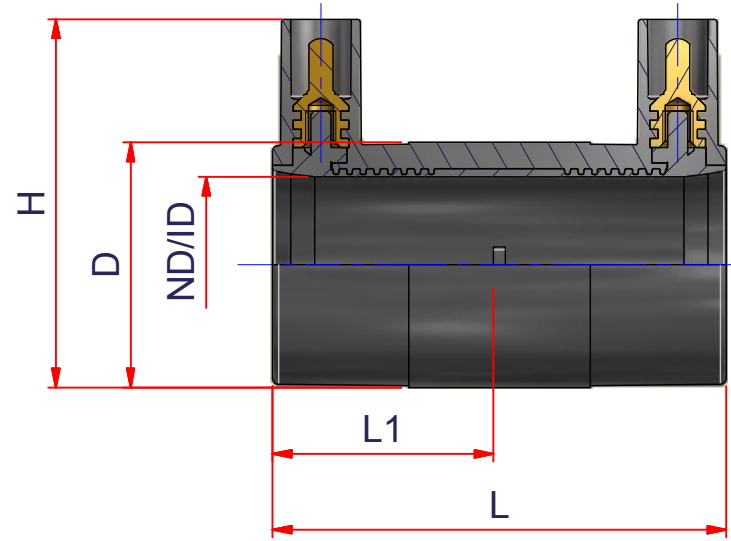


DRAWING No:  
**EL10012**

SHEET OF REV.  
**1 2 -1**

www.nupiamericas.com - info@nupiamericas.com

All dimensions have to be considered in inches with 5% tolerance if not otherwise mentioned



CODE	ND (CTS)	ID	L1	L	D	H
12EIME01C	1	1.125	1.42	2.91	1.59	2.40

**EloFIT**



ITEM: **EIME\_C**

C:\Vault\_Temp\Disegni\Corinna\Tabelle\Elofit\POLLICI  
USA\Eime\_C\EL10012.dwg

DESC: ELECTROSION COUPLER  
PE4710 230PSI SDR11



DRAWING No:  
**EL10012**

SHEET OF REV.  
**2 2 -1**

www.nupiamericas.com - info@nupiamericas.com

All dimensions have to be considered in inches with 5% tolerance if not otherwise mentioned